

A background image showing various industrial machinery components, including a large circular metal part with a central hole and several smaller bolts, and a blue metal structure with a threaded rod.

W3315 21-10-16

HARE & FORBES

MACHINERYHOUSE

Established 1930

Distributors of New & Used Workshop Equipment

DUST COLLECTOR

MODEL: DC-100

OPERATION MANUAL AND PARTS LIST

Inventory

The following is a list of items shipped with your machine. Before beginning setup, lay these items out and inventory them.

If any non-proprietary parts are missing (e.g. a nut or a washer), we will gladly replace them; or for the sake of expediency, replacements can be obtained at your local hardware store.

NOTICE

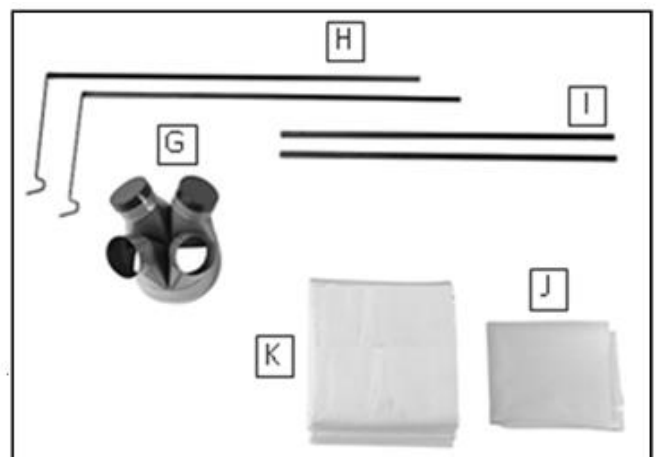
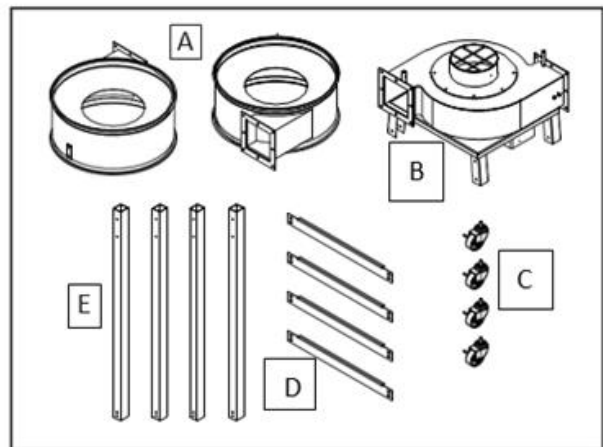
If you cannot find an item on this list, carefully check around/inside the machine and packaging materials. Often, these items get lost in packaging materials while unpacking or they are pre-installed at the factory.

| | | |
|-----------|--|---|
| A. | Collectors..... | 2 |
| B. | Impeller Housing with Motor | 1 |
| C. | Casters..... | 4 |
| D. | Leg Braces | 4 |
| E. | Legs | 4 |
| G. | 4-in-1 Inlet Adapter..... | 1 |
| H. | Hangers | 2 |
| I. | Hanger Supports | 2 |
| J. | Lower Collection Bags, (plastic) | 2 |
| K. | Upper Filter Bags (fabric)..... | 2 |

Fasteners (not shown)

Qty

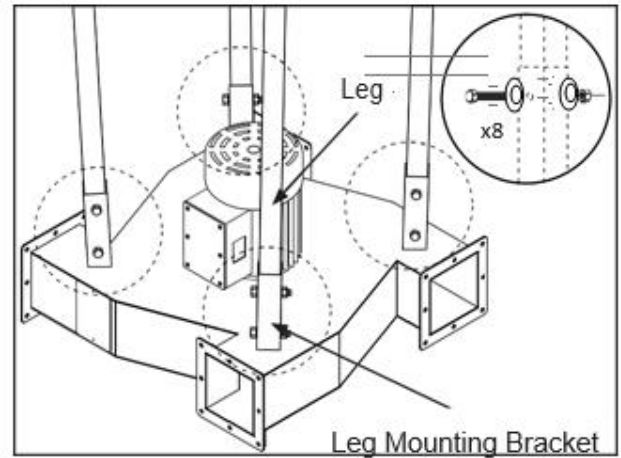
- Hex Bolts $\frac{5}{16}$ "-BSW x 2 $\frac{1}{2}$ "Long (legs)..... 8
- Hex Nuts $\frac{5}{16}$ "-BSW (legs/collectors)24
- Flanged Hex Bolts $\frac{5}{16}$ "-BSWx $\frac{1}{2}$ "Long (leg braces) 16
- Hex Bolts $\frac{5}{16}$ "-BSW x 1" Long (collectors) 16
- Hex Bolts $\frac{1}{4}$ "-BSW x $\frac{1}{2}$ "Long (hangers)....6
- Flat Washers $\frac{5}{16}$ " (collectors)32
- Phillips Head Scw $\frac{1}{2}$ "-BSW X $\frac{3}{8}$ "Long (inlet)1
- Bag Clamps (bags)..... 4
- Hex Nuts $\frac{1}{2}$ " BSW (Casters).....4



Assembly

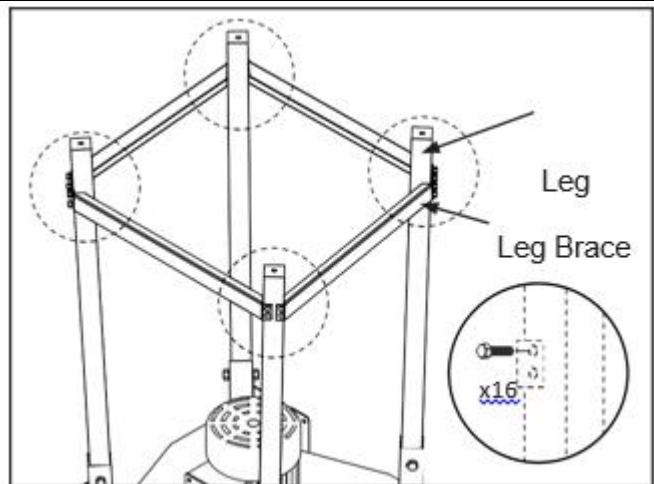
1. With assistance, place the impeller housing on the floor so that the motor is pointing up.
2. Insert the legs into the leg mounting brackets. On assembling, ensure the 4 holes on the wheel end of each leg are facing out from the center of machine to allow the cross braces to be bolted on as shown in the next box.
3. Secure Legs to mounting brackets with the eight $\frac{5}{16}$ "-BSW x 2, $\frac{1}{2}$ " Long hex bolts, two $\frac{5}{16}$ " Flat Washers and a $\frac{5}{16}$ "-BSW hex nut.

Fully tighten the bolts and nuts

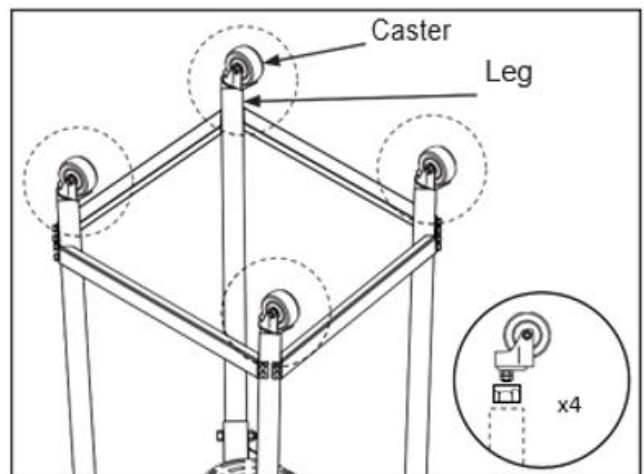


4. Attach the four leg braces to the legs
With the Sixteen $\frac{5}{16}$ "-BSW x $\frac{1}{2}$ " Long hex bolts, as shown.
The lips on the cross braces face the motor (UP)

Fully tighten the bolts



5. Attach the four casters to the legs by threading them into the bottom of the legs,
First fit a $\frac{1}{2}$ " BSW nut on the thread of each caster then screw it into the end of the legs and then lock the nut to secure it.
Castors can later be adjusted up or down to remove any wobble in the machine.

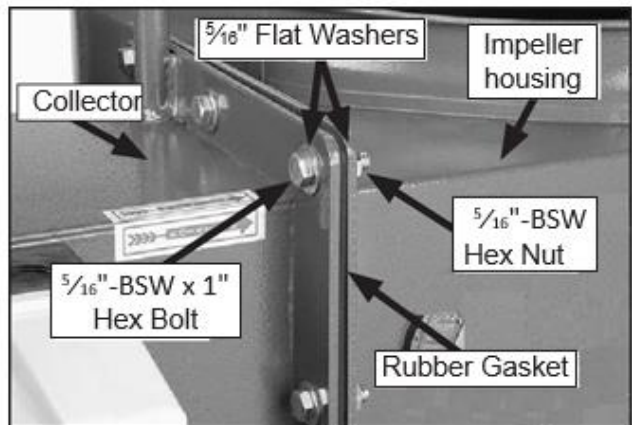


6. With assistance, turn the entire assembly over so that the casters rest on the floor.

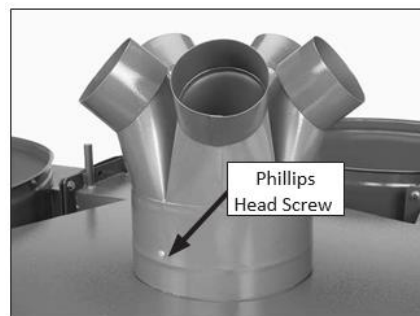
7. Fit the two collectors onto the Impellor housing.

Use eight 5/16"-BSW x 1" Long hex bolts, sixteen 5/16" flat washers, and eight 5/16"-BSW hex nuts to attach each collector to the impeller housing with a rubber gasket between the components, as shown.

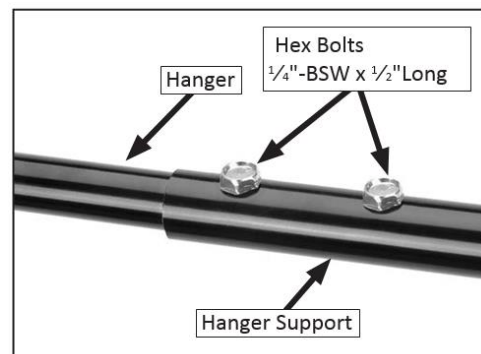
Fully tighten the bolts



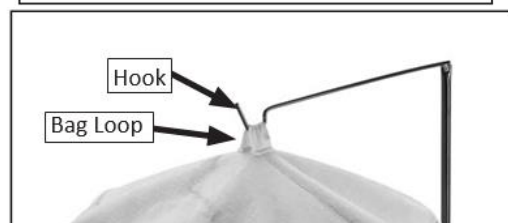
8. Attach the inlet to the top of the impeller housing with the 1/2" BSW x 3/8" Long Phillips head screw, as shown.



9. Join the hanger into the hanger support with two 1/4" BSW x 1/2" Long hex bolts. Repeat on the 2nd assembly.

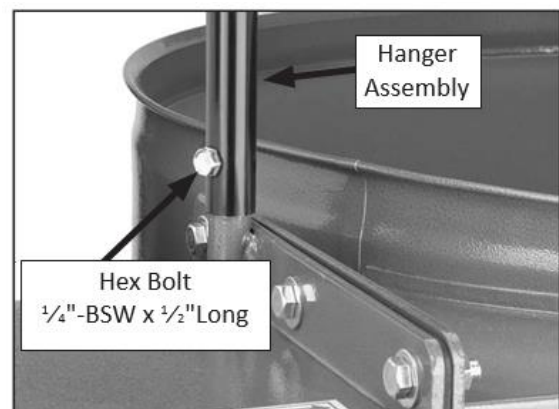


10. Place the loop at the top of an upper collection bag over a hook on a hanger assembly as shown and then lift bag/hanger assembly on top of machine and fit assembly onto the bar.



Align the hanger so that the hook is directly over the center of the collector, then fit the 1/4" BSW x 1/2" Long bolt and tighten..

Repeat on the 2nd Bag/hanger assembly.



11. Thread the bag clamp into and around the bottom seam of the upper collection bag

Slip the bottom of the bag with the clamp over the top lip of the collector.

Fasten the locking mechanism of the bag clamp to secure the bag to the collector.

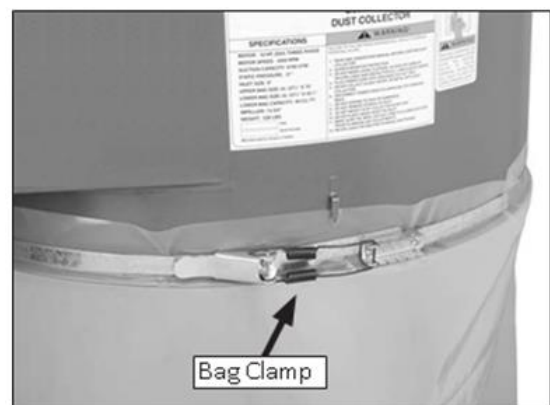
Repeat on the 2nd bag



12. Slip a lower plastic collection bag over the bottom lip of the collector and position the bag evenly around the collector. Snag the bag on the hooks to hold it in place until the bag clamp can be secured

Wrap a bag clamp around the collector, position it between the bottom lip of the collector and the hooks, and fasten the bag clamp to secure the bag to the collector.

Repeat on the 2nd bag.

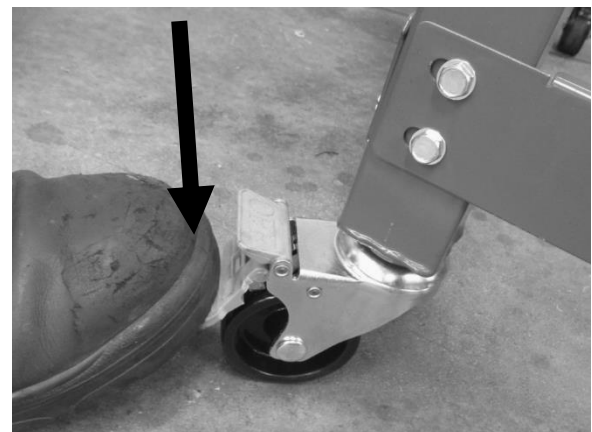


13. Position the Dust collector where it will be used and ensure the four castors are locked before switching on the

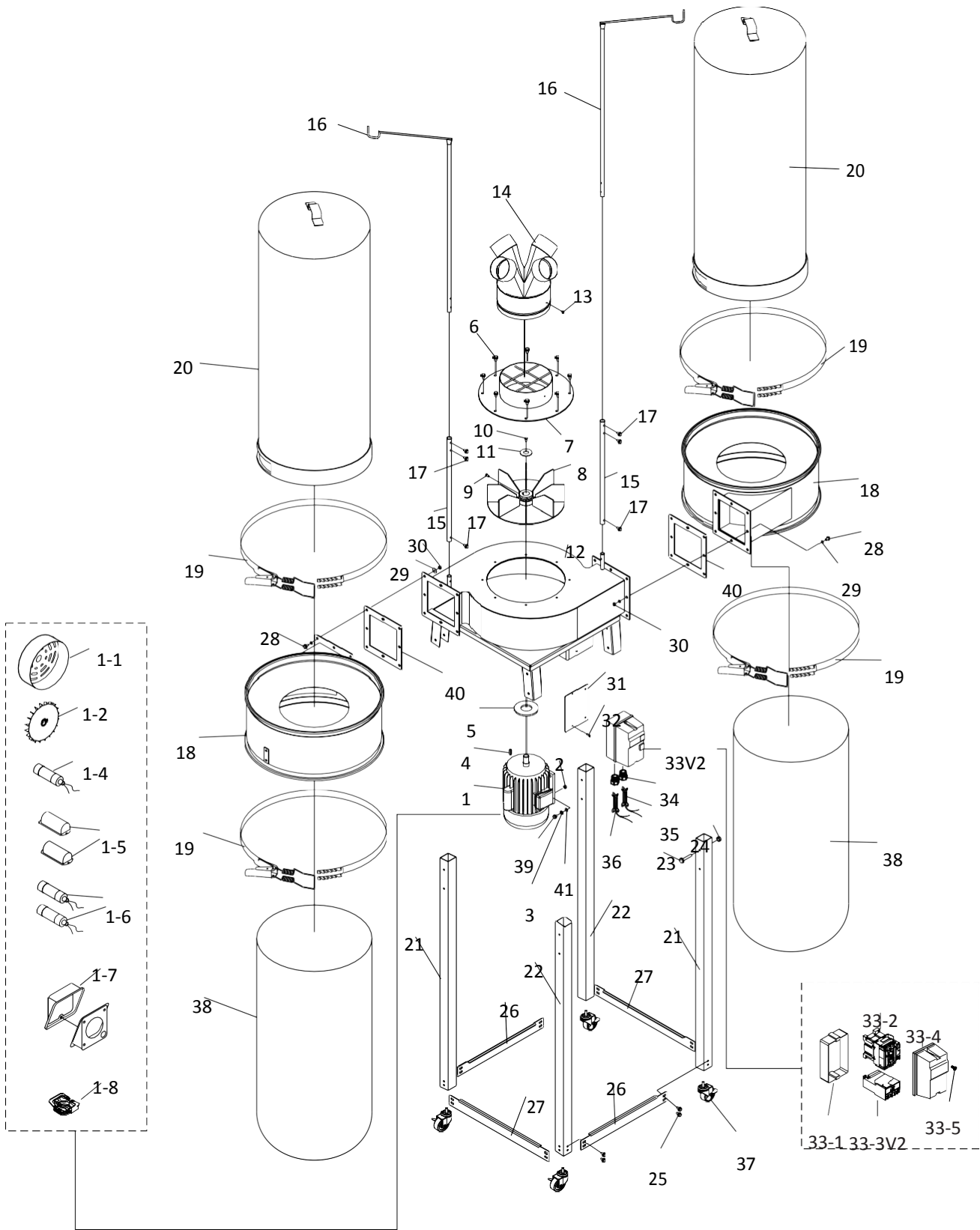
CAUTION
ENSURE WHEELS ARE LOCKED
BEFORE TURNING DUST COLLECTOR ON

Dust Collector.

Failing to Lock the four castors will result in the machine un-expectantly moving on start up.



Parts Diagram



Parts List

| REF | DESCRIPTION |
|-----|-------------------------------------|
| 1 | MOTOR 5HP |
| 1-1 | FAN COVER |
| 1-2 | FAN |
| 1-4 | S CAPACITOR 800M 250V 1-3/4 X 3-3/4 |
| 1-5 | R CAPACITOR COVER |
| 1-6 | R CAPACITOR 50M 250V 2 X 4-3/8 |
| 1-7 | JUNCTION BOX |
| 1-8 | CENTRIFUGAL SWITCH |
| 2 | HEX NUT 3/8-16 |
| 3 | LOCK WASHER 3/8 |
| 4 | KEY 6 X 6 X 25 |
| 5 | MOTOR GASKET |
| 6 | HEX BOLT 5/16-18 X 3/4 |
| 7 | INLET COVER |
| 8 | IMPELLER 15" |
| 9 | HEX BOLT 3/8-16 X 1/2 |
| 10 | CAP SCREW M6-1 X 20 |
| 11 | FLAT WASHER 6MM |
| 12 | COLLECTOR HOUSING |
| 13 | PHLP HD SCR 10-24 X 3/8 |
| 14 | INLET ADAPTER |
| 15 | BAG HANGER LOWER SUPPORT |
| 16 | BAG HANGER |
| 17 | HEX BOLT 1/4-20 X 1/2 |
| 18 | COLLECTOR DRUM |
| 19 | BAG CLAMP |
| 20 | FILTER BAG 2.5 MICRON 23-5/8" X 70" |

| REF | DESCRIPTION |
|--------|------------------------------------|
| 21 | RIGHT LEG |
| 22 | LEFT LEG |
| 23 | HEX BOLT 5/16-18 X 2-1/2 |
| 24 | HEX NUT 5/16-18 |
| 25 | HEX BOLT 5/16-18 X 1/2 |
| 26 | F/R LEG BRACE |
| 27 | L/R LEG BRACE |
| 28 | HEX BOLT 5/16-18 X 1 |
| 29 | FLAT WASHER 5/16 |
| 30 | HEX NUT 5/16-18 |
| 31 | MAGNETIC SWITCH PLATE |
| 32 | PHLP HD SCR 10-24 X 1/2 |
| 33V2 | MAGNETIC SWITCH V2.01.13 |
| 33-1 | MAG SWITCH BACK COVER |
| 33-2 | CONTACTOR SDE MP-15 220V |
| 33-3V2 | OL RELAY SDE RA-30 28-42A V2.01.13 |
| 33-4 | MAG SWITCH FRONT COVER |
| 33-5 | PLASTIC COVER SCREW 11/32-16 X 3/4 |
| 34 | STRAIN RELIEF |
| 35 | MOTOR CORD 10AWG X 3C |
| 36 | POWER CORD 10AWG X 3C |
| 37 | CASTER WITH BRAKE |
| 38 | LOWER DUST BAG 23-5/8" X 57" |
| 39 | HEX BOLT 3/8-16 X 1-1/4 |
| 40 | RUBBER GASKET |
| 41 | FLAT WASHER 3/8 |